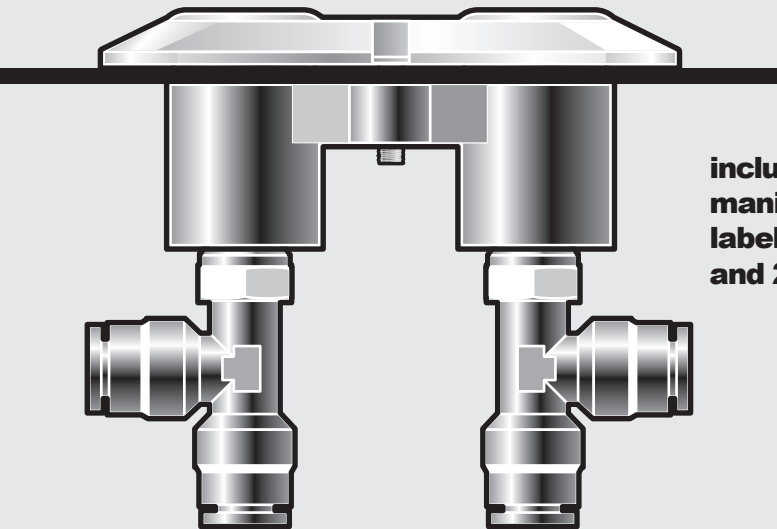
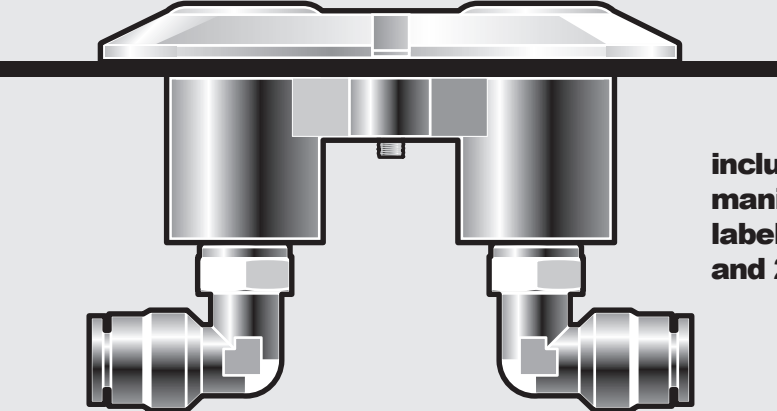


includes bezel,
manifold, 2 plugs,
label and 2 screws

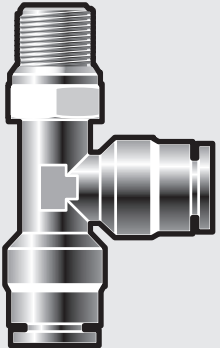


includes bezel,
manifold, 2 plugs,
label, 2 screws
and 2 tee fittings

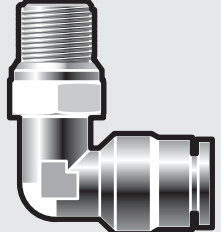


includes bezel,
manifold, 2 plugs,
label, 2 screws
and 2 elbow fittings

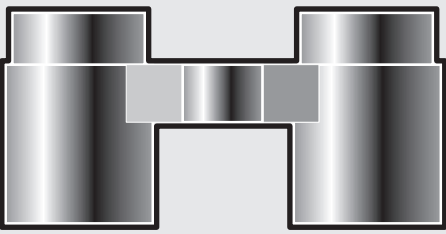
1/4" Tube x 1/8" NPT
Male Run Tee DOT



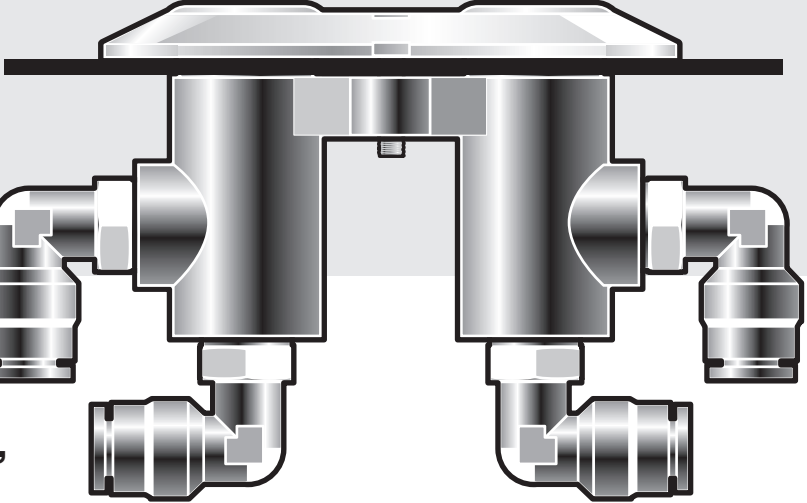
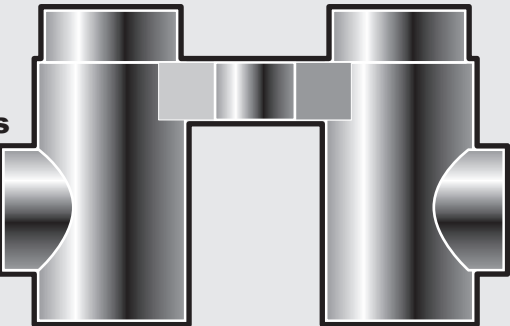
1/4" Tube x 1/8" NPT
90° Elbow DOT



2 Rear Ports



4 Rear Ports

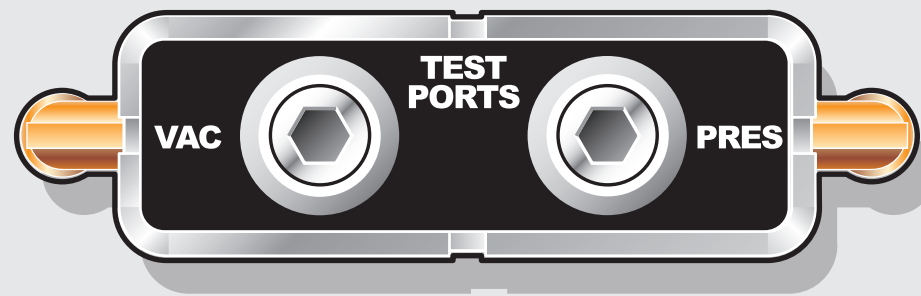


includes bezel,
manifold, 2 plugs,
label, 2 screws
and 4 elbow fittings

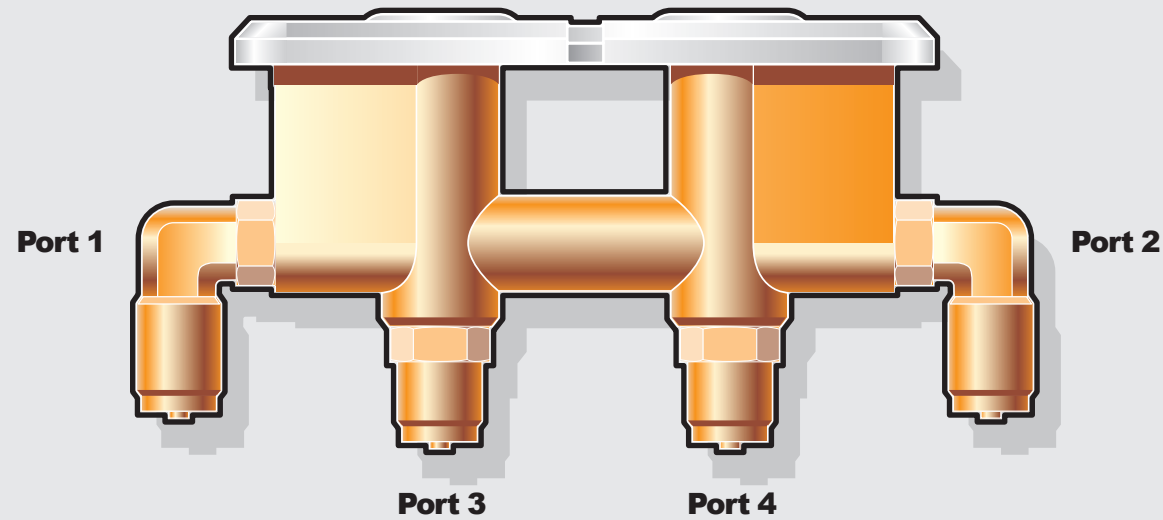
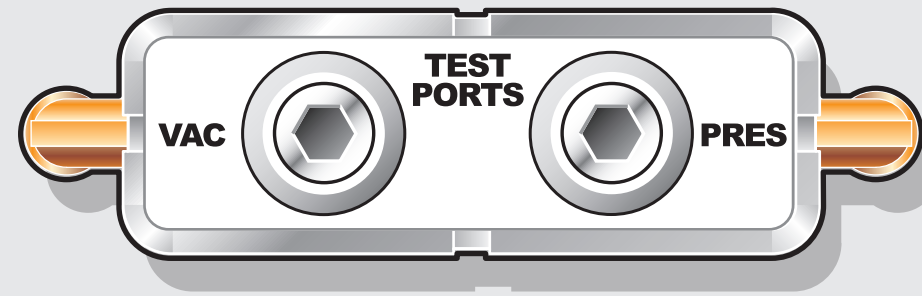
Test Gauge Manifold by
Innovative Controls

Additional Fittings
Available

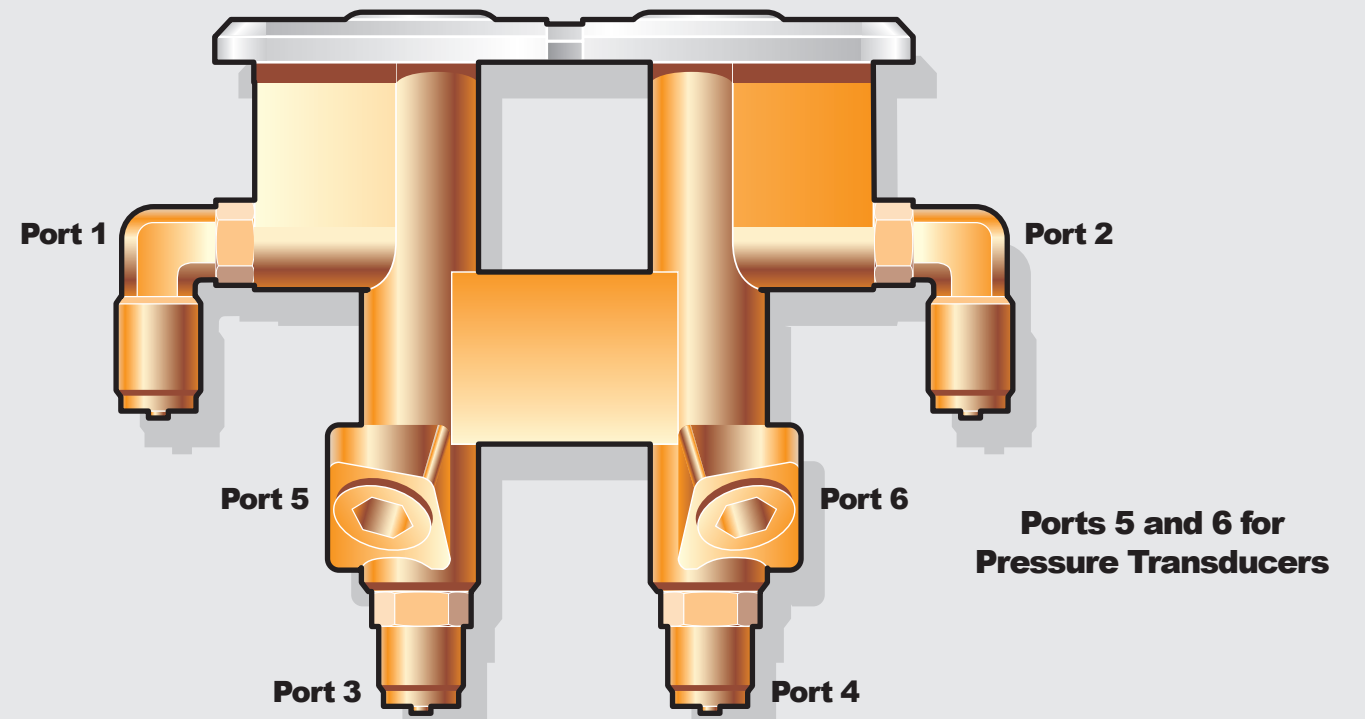




Custom Graphics Available



4 Port Test Gauge Manifold Assembly with Two 90° Swivel Fittings and Two Straight Fittings Installed



6 Port (Pressure Transducer) Manifold with Two 90° Swivel and Two Straight Fittings

Other Fittings Available