

## Part 2: Installing the Probe

### Note:

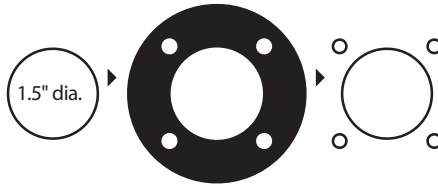
The flange must be mounted on the top of the tank or inside a fill tower in a way that holds probe vertically level.

### Note:

Do not locate the probe flange in an area that may accumulate water and cover the probe. Do not paint the probe above the flange. Either of these actions can permanently damage the probe.

### Step 9: Probe Installation

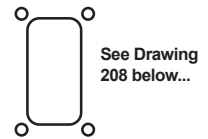
Cut a 1.5" diameter hole at the desired location on top of the tank. Use the probe flange as a template to drill four mounting holes. If the tank is plastic, drill 7/32" holes to accept the #14x3/4" screws provided. If the tank is metal, drill and tap the holes for 1/4" bolts (not included). Place the rubber gasket between the flange and the top of the tank when installing the probe.



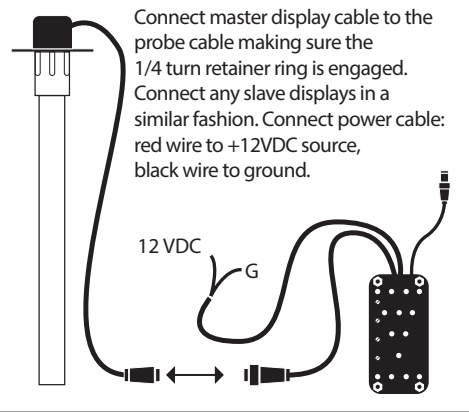
### Step 10: Display Installation

If not already assembled, mount the display module to the decorative mounting bezel and apply the graphic overlay.

Drill and mount the master display and any slave display modules and cover plates using drawing no.208 (dimensions for master and slave displays) and/or drawing no.265 (dimensions for mini slave displays).



### Step 11: Reconnect Cables



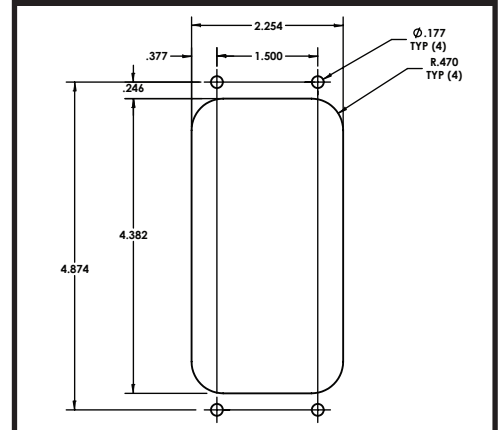
### Note:

The display power supply(+12VDC to +26VDC) should be in a circuit with a 500mA to 1A fuse. (Total current drain approx. 200mA per large display)

### Note:

Slave Displays connect to the master display via 7 conductor extension cables. Be sure all 1/4 turn connector retainer rings are secure.

### Drawing 208



### WARNING:

Do not use the LC Series Level Probes in flammable liquid. Explosion or fire could result.