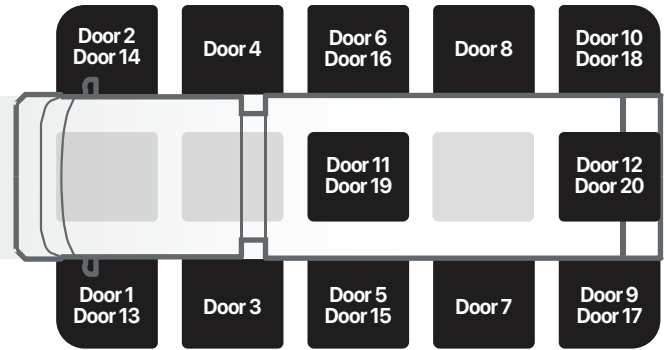
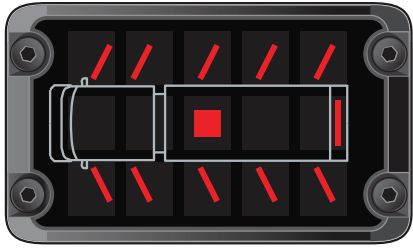


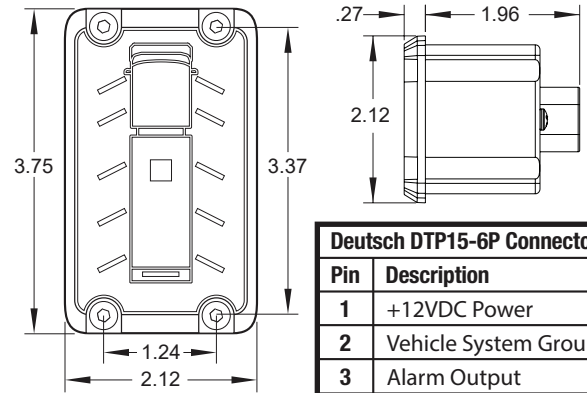
ic 3051076 Door Ajar Cab Display



*Display will flash ON/OFF @ 1 Hz if connection with input module is lost.

DOOR AJAR CAB DISPLAY SPECIFICATIONS

Operating Voltage	7 to 32VDC
Current Consumption at 13.8 VDC with no loads	30mA
Alarm Output Current	700mA high side switch with overcurrent protection
Operating Temperature Range	-40°C to +105°C (-40°F to +220°F)
Storage Temperature Range	-40°C to +105°C (-40°F to +220°F)
Ingress Protection	IP65
Electrical Protection	Reverse voltage polarity protection on all connections ESD protected to J1113-13 specifications Transient voltage protected to J1113-11 and J1113-42 Alarm output and power input are protected from reverse polarity, over-current, over-voltage, and voltage transients
CAN BUS Communication	SAE J1939 250K*
Dimensions	3.75" x 2.12"
Weight	0.15 pounds (68 grams)



Mating connector is Deutsch DTP06-6S with W6S wedgelock and 0462-201-16141 sockets

Deutsch DTP15-6P Connector	
Pin	Description
1	+12VDC Power
2	Vehicle System Ground
3	Alarm Output
4	J1939 CAN Bus High
5	J1939 CAN Bus Low
6	J1939 CAN Shield

3050534-01 DOOR INPUT MODULE SPECS

Deutsch DTM13-12PA-12PB Connectors		
Terminal	Name	Description
1A	BATTERY	Vehicle System Battery +
2A	CAN HI	J1939 CAN Bus CAN High Signal
3A	DOOR 13	Door 13 Sensor Input
4A	DOOR 14	Door 14 Sensor Input
5A	DOOR 15	Door 15 Sensor Input
6A	DOOR 16	Door 16 Sensor Input
7A	DOOR 17	Door 17 Sensor Input
8A	DOOR 18	Door 18 Sensor Input
9A	DOOR 19	Door 19 Sensor Input
10A	DOOR 20	Door 20 Sensor Input
11A	CAN LO	J1939 CAN Bus low signal
12A	GROUND	Vehicle System Ground
1B	DOOR 1	Door 1 Sensor Input
2B	DOOR 2	Door 2 Sensor Input
3B	DOOR 3	Door 3 Sensor Input
4B	DOOR 4	Door 4 Sensor Input
5B	DOOR 5	Door 5 Sensor Input
6B	DOOR 6	Door 6 Sensor Input
7B	DOOR 7	Door 7 Sensor Input
8B	DOOR 8	Door 8 Sensor Input
9B	DOOR 9	Door 9 Sensor Input
10B	DOOR 10	Door 10 Sensor Input
11B	DOOR 11	Door 11 Sensor Input
12B	DOOR 12	Door 12 Sensor Input